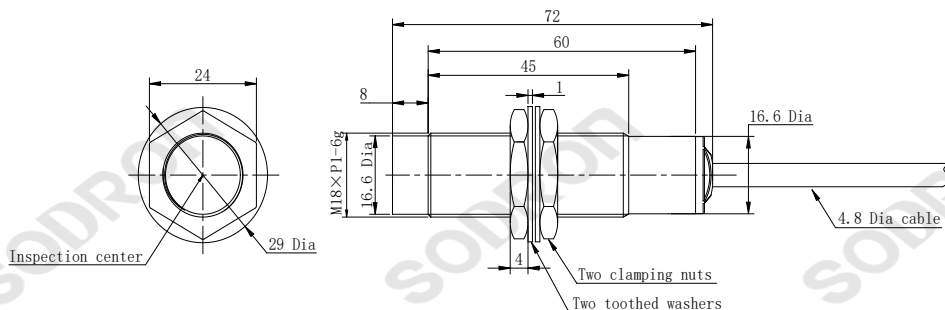




**Dimension**



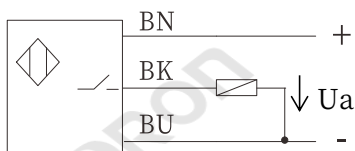
**Model**

MN18-08DLU

**Product Features**

- Voltage analog output
- IEC IP67
- Voltage output: 0-10V

**Connection**



**Technical parameters**

Model	MN18-08DLU
Output	Voltage analog output
Sensing distance	2-8mm
Power supply	15~30V DC
Current consumption	<20mA
Standard target	Iron sheet 24X24X1mm
Response frequency	300Hz
Repeat accuracy	< 3%(Sensing distance)
Temperature effect	-25°C~70°C, within ±10% (+23°C Sensing distance)
Hysteresis error	1%~15%(Sensing distance)
Load	Load resistor ≥4.7KΩ
Indicator light	LED (Yellow)
Circuit protection	Reverse Connection protection
Ambient temperature	Work&store: -25°C ~ +70°C
Ambient humidity	Work&store: 35~95% RH
Withstanding voltage	1000V AC, 50/60Hz 1min between current-carrying parts and case
Insulation resistance	>20MΩ (DC500V) between current-carrying parts and case
Anti-vibration	10~55Hz, amplitude 1.5mm for 2H in X,Y,Z directions
Anti-impact	500m/s <sup>2</sup> for X,Y,Z directions (50G) 3 times
Protection degree	IEC IP67
Connection	Cable 2m , Φ4.8(3-core) gray 0.2mm <sup>2</sup> PVC
Material	Front PBT
	Housing Nickel-plated brass